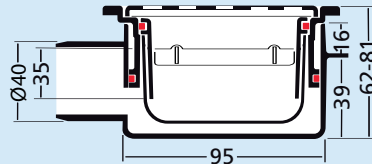
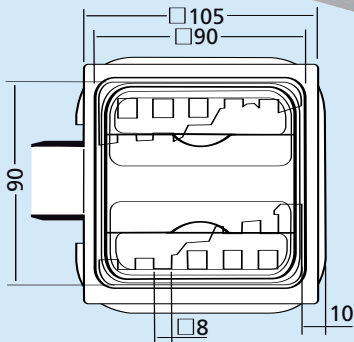


ABS drain 100 x 100 mm

nr. 612

- abs drainbowl
- brushed stainless steel grating
- 25 waste holes 8 x 8 mm
- removable plastic watertrap
- cap. 35 l/min.
- in height adjustable grating and frame
- watertrap 35 mm
- extreme low build-in height
- flange around drainbowl
- vertical outlet Ø40 mm (glueable)



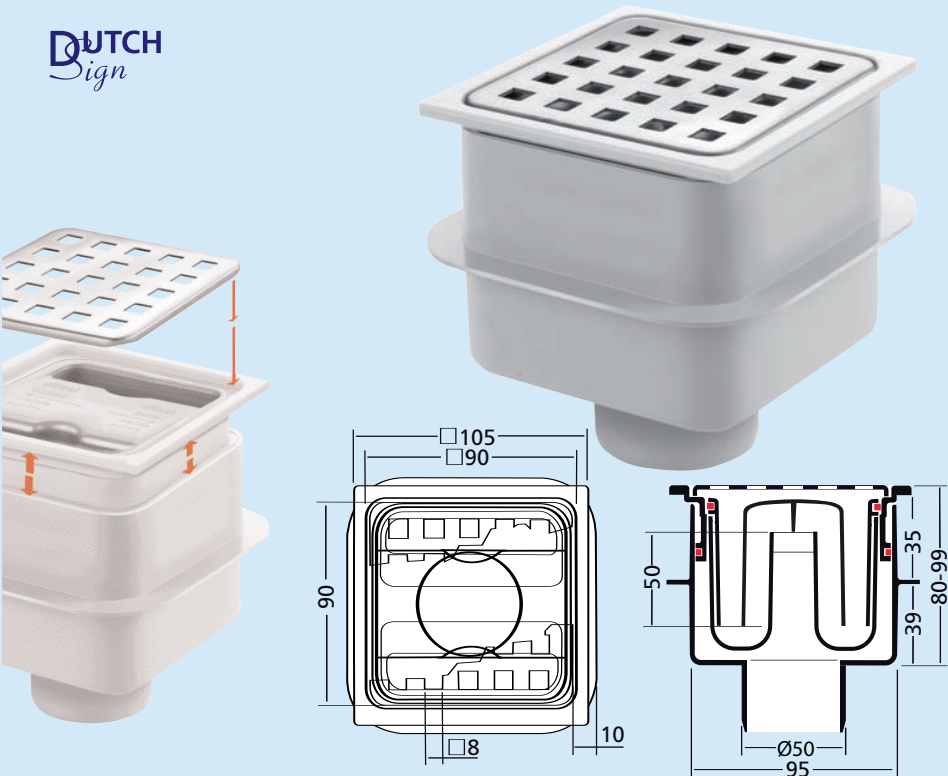


ABS drain 100 x 100 mm

nr. 613

- abs drainbowl
- brushed stainless steel grating
- 25 waste holes 8 x 8 mm
- removable plastic watertrap
- cap. 35 l/min.
- in height adjustable grating and frame
- watertrap 35 mm
- extreme low build-in height
- flange around drainbowl
- horizontal outlet Ø40 mm (glueable)



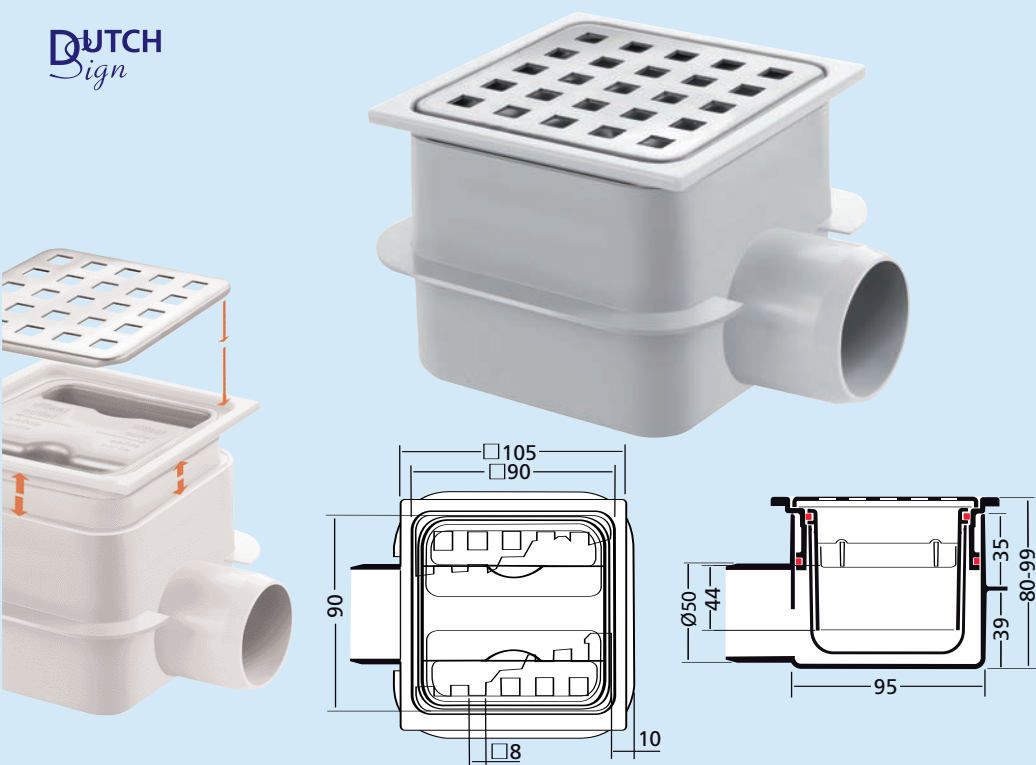


ABS drain 100 x 100 mm

nr. 614

- abs drainbowl
- brushed stainless steel grating
- 25 waste holes 8 x 8 mm
- removable plastic watertrap
- cap. 35 l/min.
- in height adjustable grating and frame
- watertrap 50 mm
- flange around drainbowl
- vertical outlet Ø50 mm (glueable)



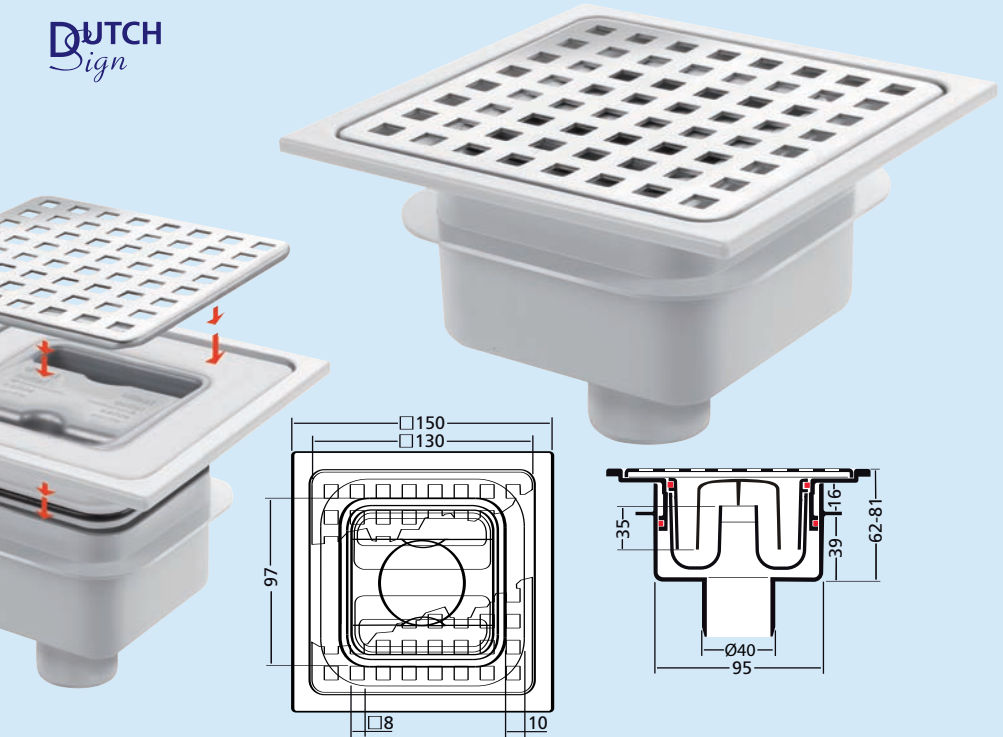


ABS drain 100 x 100 mm

nr. 615

- abs drainbowl
- brushed stainless steel grating
- 25 waste holes 8 x 8 mm
- removable plastic watertrap
- cap. 35 l/min.
- in height adjustable grating and frame
- watertrap 50 mm
- flange around drainbowl
- horizontal outlet Ø50 mm (glueable)



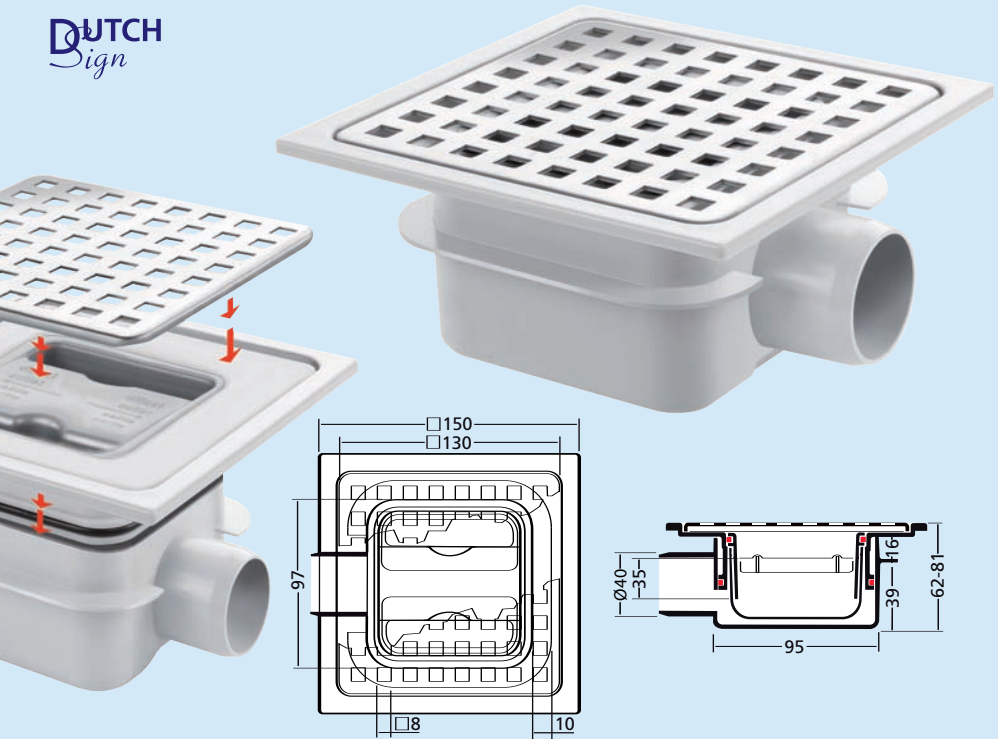


ABS drain 100 x 100 mm

nr. 616

- abs drainbowl
- brushed stainless steel grating
- 64 waste holes 8 x 8 mm
- removable plastic watertrap
- cap. 35 l/min.
- in height adjustable grating and frame
- watertrap 35 mm
- extreme low build-in height
- flange around drainbowl
- vertical outlet Ø40 mm (glueable)



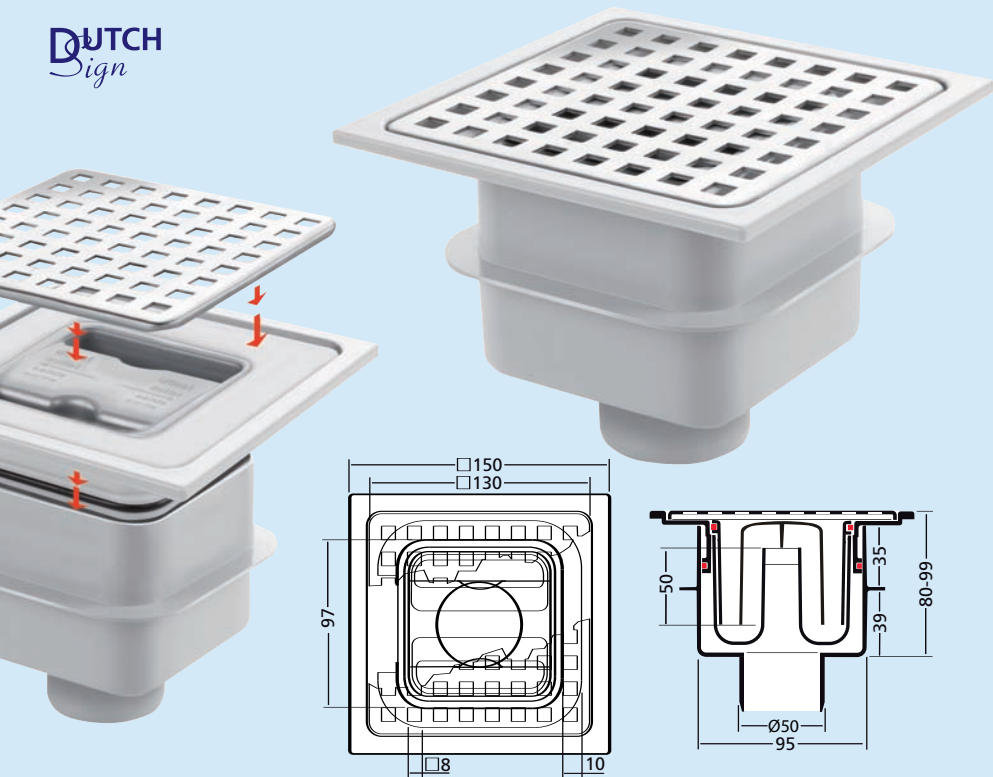


ABS drain 150 x 150 mm

nr. 617

- abs drainbowl
- brushed stainless steel grating
- 64 waste holes 8 x 8 mm
- removable plastic watertrap
- cap. 35 l/min.
- in height adjustable grating and frame
- watertrap 35 mm
- extreme low build-in height
- flange around drainbowl
- horizontal outlet Ø40 mm (glueable)



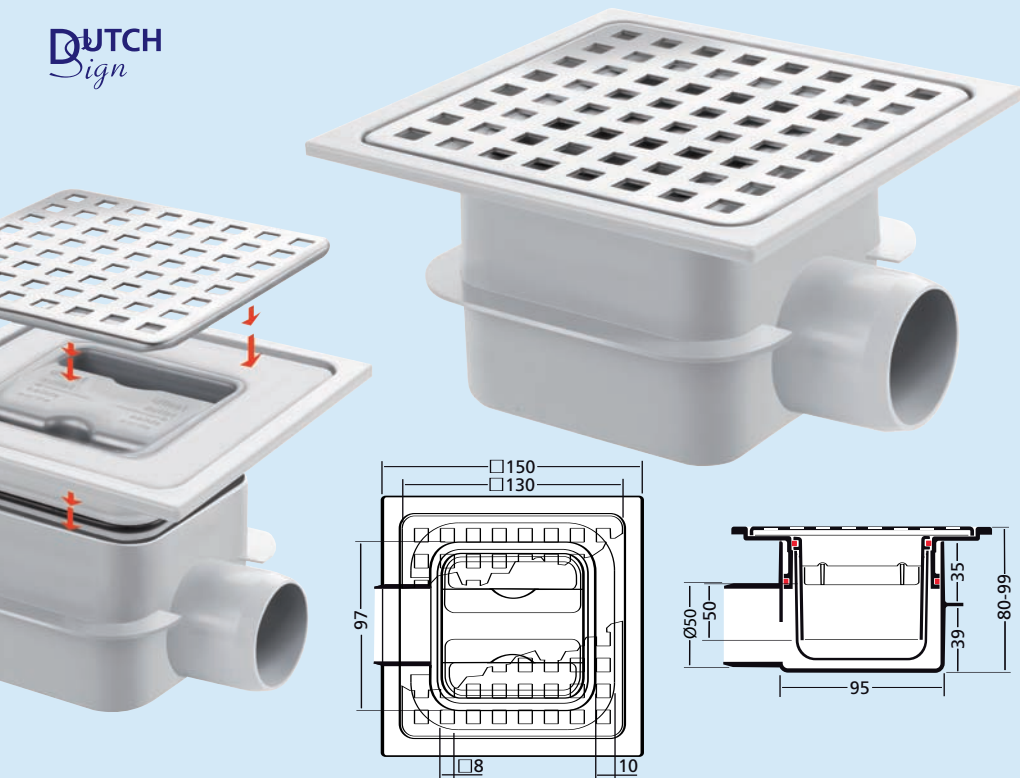


ABS drain 150 x 150 mm

nr. 618

- abs drainbowl
- brushed stainless steel grating
- 64 waste holes 8 x 8 mm
- removable plastic watertrap
- cap. 35 l/min.
- in height adjustable grating and frame
- watertrap 50 mm
- flange around drainbowl
- vertical outlet Ø50 mm (glueable)





ABS drain 150 x 150 mm

nr. 619

- abs drainbowl
- brushed stainless steel grating
- 64 waste holes 8 x 8 mm
- removable plastic watertrap
- cap. 35 l/min.
- in height adjustable grating and frame
- watertrap 50 mm
- flange around drainbowl
- horizontal outlet Ø50 mm (glueable)

